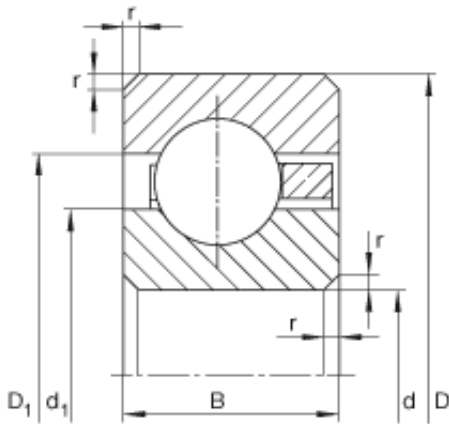




Ateco Drive Machinery.

3 inch x 88,9 mm x 6,35 mm INA CSCA030 Cojinetes de bolas profundas

Bearing No. CSCA030



CSCA030 Bearing 2D drawings and 3D CAD models

Size	76.2x88.9x6.35 mm
Bore Diameter	76,2 mm
Outer Diameter	88,9 mm
Width	6,35 mm
d	76,2 mm
d	3 inch
D	88,9 mm
B	6,35 mm
D ₁	84,2 mm
d ₁	80,9 mm
r _{min}	0,6 mm
m	0,07 kg / Weight
C _r	3800 N / Dynamic load rating (radial)
C _{0r}	3900 N / Static load rating (radial)