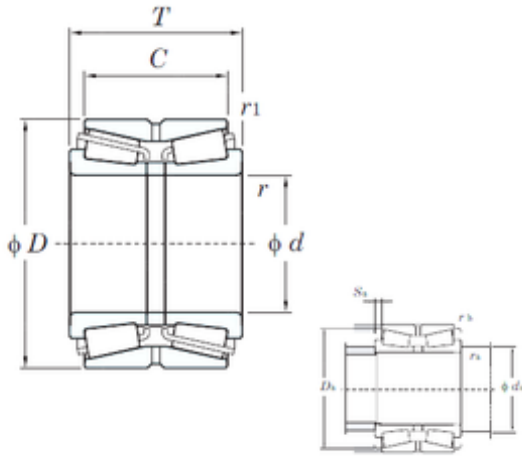




Aoteau Drive Machinery.



KOYO 462/500A Rodamientos De Rodillos C ó nicos

Bearing No. 462/500A

Size	500x720x209 mm
Bore Diameter	500 mm
Outer Diameter	720 mm
Width	209 mm
d	500 mm
D	720 mm
T	209 mm
C	167 mm
r min.	6 mm
r1 min.	3 mm
da min.	528 mm
Da min	690 mm
ra max.	5 mm
rb max.	2,5 mm
Weight	258 Kg
Basic dynamic load rating (C)	3500 kN
Basic static load rating (C0)	7850 kN
(Grease) Lubrication Speed	250 r/min
(Oil) Lubrication Speed	330 r/min
Calculation factor (e)	0,42
Calculation factor (Y0)	1,58
Bearing No.	462/500A
r(min)	6
r1(min)	3
Cr	4390

462/500A Bearing 2D drawings and 3D CAD models



Aoteau Drive Machinery.

C0r	7850
Cu	356
Grease lub.	250
Oil lub.	330
da(min)	528
Da(min)	706
Sa(min)	21
ra(max)	5
rb(max)	2.5
e	0.42
Y2	1.62
Y3	2.41
Y0	1.58
(Refer.)Mass(kg)	258