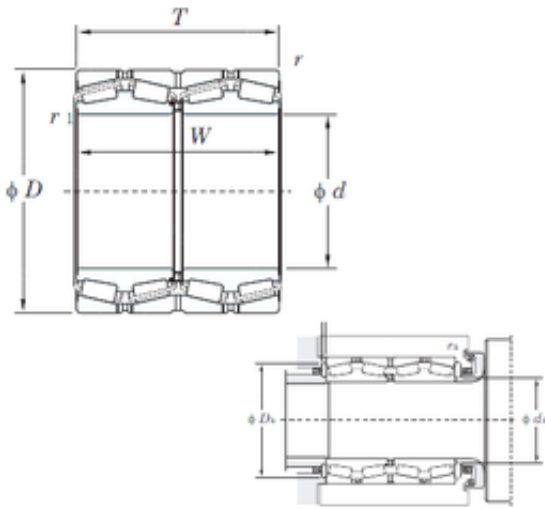




## Ateco Drive Machinery.



47234 Bearing 2D drawings and 3D CAD models

### KOYO 47234 Rodamientos De Rodillos C ó nicos

Bearing No. 47234

Size	170x260x144 mm
Bore Diameter	170 mm
Outer Diameter	260 mm
Width	144 mm
d	170 mm
D	260 mm
T	144 mm
r min.	2.5 mm
r1 min.	3 mm
S	7 mm
W	144 mm
da min.	195.3 mm
Da min	236.4 mm
Da max.	248 mm
ra max.	2 mm
rb max.	2.5 mm
Weight	27.5 Kg
Basic dynamic load rating (C)	1040 kN
Basic static load rating (C0)	1910 kN
Calculation factor (e)	2.21
Calculation factor (Y0)	0.31