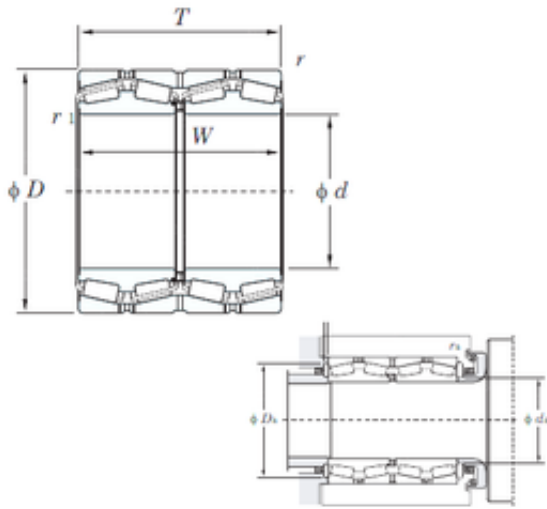




Aoteau Drive Machinery.



47392 Bearing 2D drawings and 3D CAD models

KOYO 47392 Rodamientos De Rodillos C ó nicos

Bearing No. 47392

Size	460x760x494 mm
Bore Diameter	460 mm
Outer Diameter	760 mm
Width	494 mm
d	460 mm
D	760 mm
T	494 mm
r min.	7.5 mm
r1 min.	7.5 mm
S	7 mm
W	494 mm
da min.	532 mm
Da min	677 mm
Da max.	724 mm
ra max.	6 mm
rb max.	6 mm
Weight	914 Kg
Basic dynamic load rating (C)	10500 kN
Basic static load rating (C0)	20900 kN
Calculation factor (e)	1.74
Calculation factor (Y0)	0.39