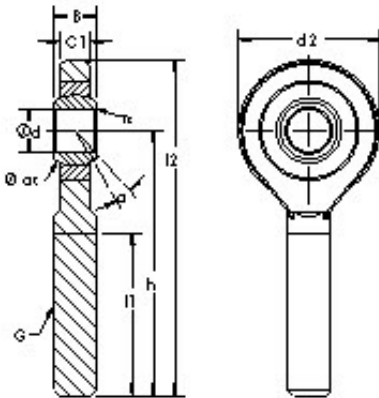




## Ateau Drive Machinery.



SA60ET-2RS Bearing 2D drawings and 3D CAD models

### AST SA60ET-2RS Rodamientos Deslizantes

Bearing No. SA60ET-2RS

Bore Diameter	60 mm
Width	44 mm
Bearing Type - steel-on-PTFE fabric, sealed	steel on PTFE fabric, sealed
Bore Dia (d)	60.0000
Width (B)	44.0000
Radius (min) (rs)	1.000
Dynamic Load Rating (Cr)	430,000
Static Load Rating (Cor)	450,000
Spherical Diameter (dk or Dk)	80.000
Mis-alignment Angle (a deg.)	6
Thread Length (l1)	115.000
Bore Center to End of Rod (h)	210.000
Rod Overall Length (l2)	277.500
Rod End Thickness (C1)	39.000
Bore Center to Body (l7)	76
Thread Size (G)	M52 X 3
Rod End Width (d2)	135.000
Weight (g)	5,700.00
Material - Body - Carbon steel-zinc plated, Ball - Hardened chrome steel-chrome plated, Liner	PTFE fabric material